

LIGHTWEIGHT SCREW ANCHOR DRIVE

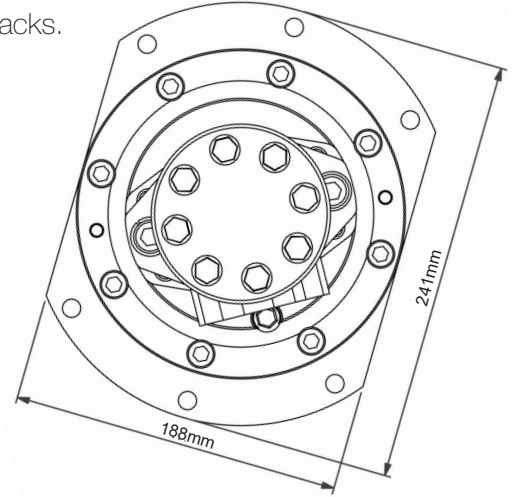


The Lightweight Screw Anchor Drive is ideal for the installation of screw piles in confined or low access sites such as crawl spaces.

The units can be powered by portable hydraulic power packs.

Features

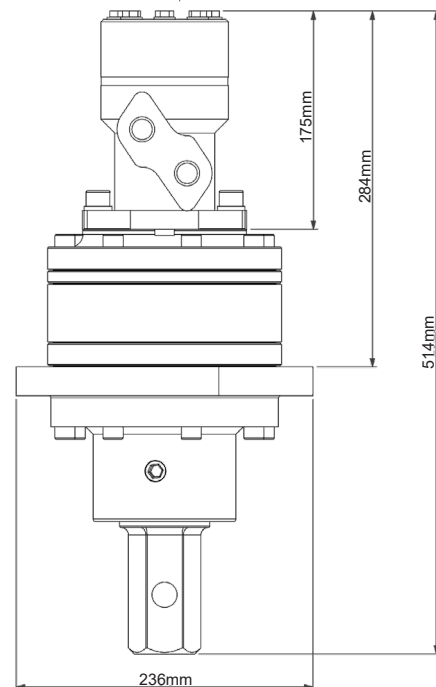
- Compact high torque Digga manufactured gearbox.
- Lightweight, just 40kg for ease of movement in confined spaces
- Fitted with a high efficiency Danfoss/Digga geroler hydraulic motor
- Motor mounted pressure relief valve fitted standard on HH-6K Drive
- 40 years design and manufacturing experience
- 1yr gearbox and 1yr warranty



Specifications	HH-6K
Theoretical torque	8,850 Nm @ 145 Bar
Expected Torque	6,460 Nm @ 145 Bar
Maximum Pressure	145 Bar @ 57 lpm
Maximum Flow	57 lpm @ 145 Bar
Max Power	15 Kw
Pressure Relief Valve Fitted	STD
Standard Output Shaft	2" Hex
Weight (no frame or hitch)	40 kg
Overall Length	500 mm
Diameter	240 mm



Output Torque		Output Speed	
BAR	NM	LPM	RPM
50	3,055	30	8
60	3,666	35	9
70	4,277	40	10
80	4,888	45	12
90	5,499	50	13
100	6,110	55	14
110	6,721	60	16
120	7,332		
130	7,943		
140	8,554		
150			
160			
170			
180			
190			
205			



Lightweight units are not suitable for machine mounting. Warranty void if used on machines.

Output speed and torque specifications are THEORETICAL. Speed and torque output are dependent on the overall system efficiencies associated with the prime movers hydraulic system. This document should be used for information and comparative purposes only. When determining criteria, & application specific information is required, please contact DIGGA.